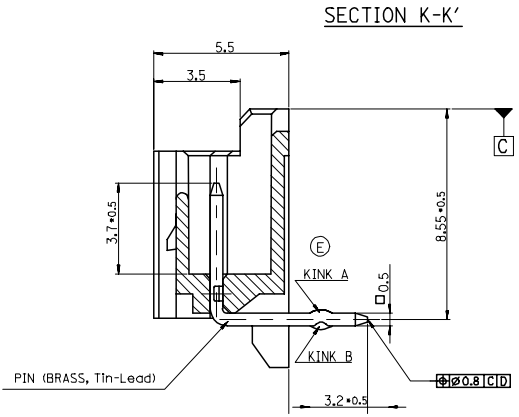
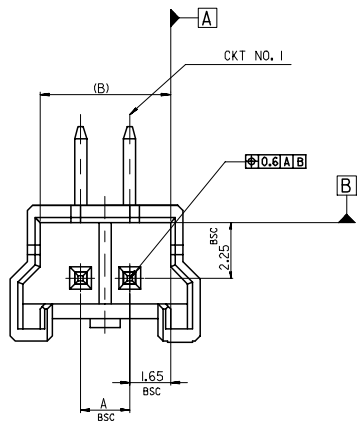


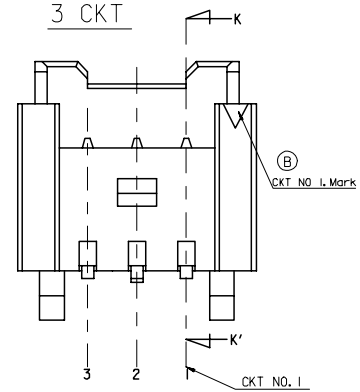
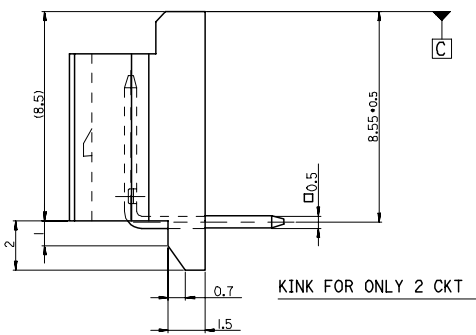
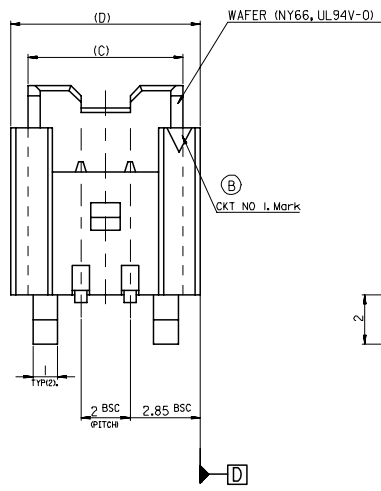
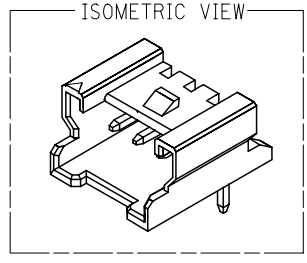


10 9 8 7 6 5 4 3 2 1

F  
E  
D  
C  
B  
A



FOR 2 & 3 CKTS.



LEGEND

SD-35363-\*\*\*|\*  
 CKT NO. \_\_\_\_\_ COLOR \_\_\_\_\_

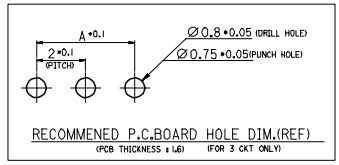
0	: NATURAL
1	: BLACK
2	: RED
3	: YELLOW
4	: BLUE
5	: GREEN

- NOTES
- ① MATERIAL : UNFILLED POLYAMIDE, UL94V-0
  - 2. MATING HOUSING : 35007-\*\*\*0\*
  - MATING TERMINAL : 50212-8000
  - ③ CHAMBER : 0.3 MAX.
  - 4. KINK

CKT NO. CKT	1	2	3
2 CKT	NONE	KINK	
3 CKT	A	B	A

5. PRODUCT SPECIFICATION NO : PS-35507-001

9.7	8.3	7.3	4	-031*	3
7.7	6.3	5.3	2	35363-021*	2
(D)	(C)	(B)	A	ENG. NO.	CKT



30 over	±0.3
10 over 30 under	±0.25
10 under	±0.2
ANGLE	±3°
GENERAL TOLERANCE	

REVISED  
 EC NO: KOR2007-0144  
 DRWN:HJEONG 2007/05/11  
 CHKD:YSOOKIM 2007/05/22  
 APPR:YUNSIKKIM 2007/05/30

QUALITY SYMBOLS  
 ▽=0  
 ▽=0

GENERAL TOLERANCES (UNLESS SPECIFIED)

	mm	INCH
4 PLACES	±---	±---
3 PLACES	±---	±---
2 PLACES	±---	±---
1 PLACE	±0.15	±---
ANGULAR ± 1°		

DRAFT WHERE APPLICABLE  
 MUST REMAIN WITHIN DIMENSIONS

DIMENSION STYLE  
 MM ONLY

DRAWN BY DATE  
 YSOOKIM 1996/09/11

CHECKED BY DATE  
 JKOH 1996/09/11

APPROVED BY DATE  
 CWLEE 1996/09/11

MATERIAL NO.

SCALE  
 5:1

DESIGN UNITS  
 METRIC

THIRD ANGLE PROJECTION

2.0 W/B CONN  
 WAFER ASSY  
 (R/A)

MOLEX INCORPORATED

ENTER PART SD-35363-001

DOCUMENT NO. SHEET NO.  
 SD-35363-001 2 OF 3

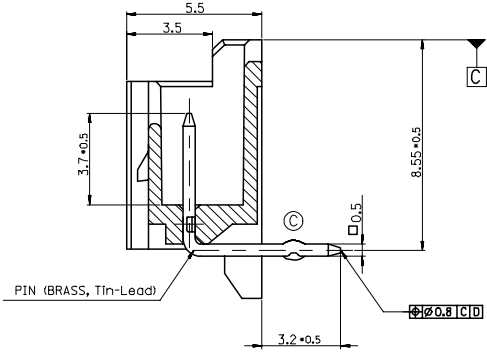
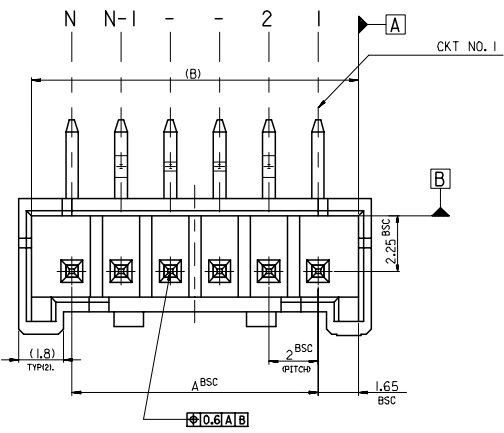
THIS DRAWING CONTAINS INFORMATION THAT IS PROPRIETARY TO MOLEX INCORPORATED AND SHOULD NOT BE USED WITHOUT WRITTEN PERMISSION

9 8 7 6 5 4 3 2 1

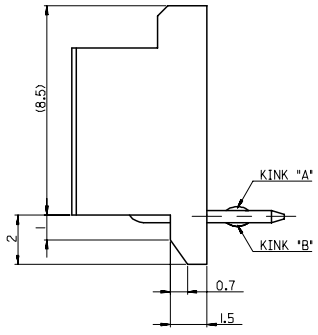
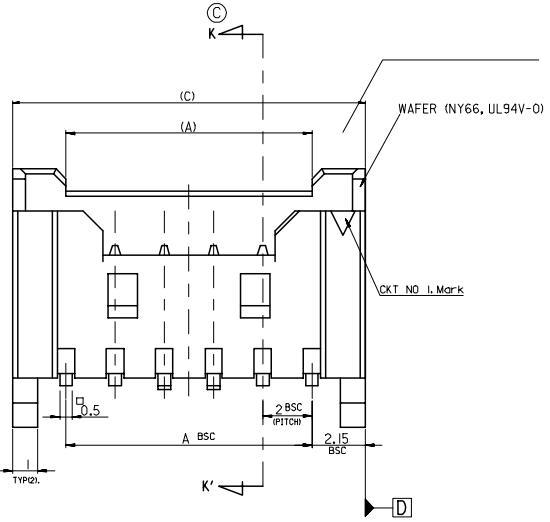
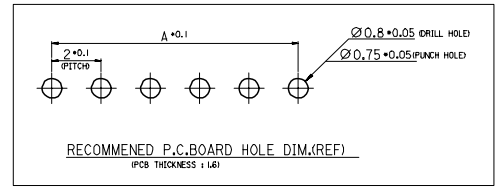
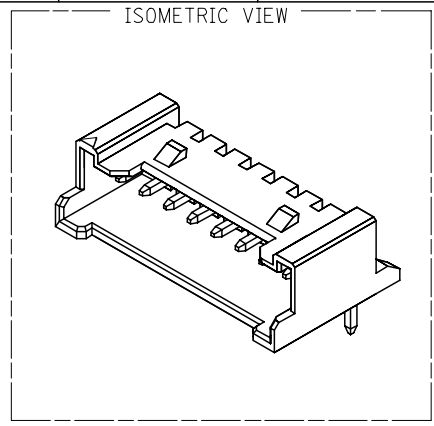
10 9 8 7 6 5 4 3 2 1

F  
E  
D  
C  
B  
A

F  
E  
D  
C  
B  
A



SECTION K-K'



LEGEND

SD-35363-\*\*\* | \* COLOR

- 0 : NATURAL
- 1 : BLACK
- 2 : RED
- 3 : YELLOW
- 4 : BLUE
- 5 : GREEN

42.3	41.3	38	35363-201*	20
(C)	(B)	A	ENG. NO.	CKT

- NOTES
- MATERIAL : UNFILLED POLYAMIDE, UL94V-0
  - MATING HOUSING : 35007-\*\*\*0\*  
MATING TERMINAL : 50212-8000
  - KINK

CKT NO	1	2	3	4	N-3	N-2	N-1	N
20	-	A	B	-	-	B	A	-

4. PRODUCT SPECIFICATION NO : PS-35507-001

30 over	±0.3
10 over 30 under	±0.25
10 under	±0.2
ANGLE	±3°
GENERAL TOLERANCE	

REVISED  
EC NO: KOR2007-0144  
DRWN:HJEONG 2007/05/11  
CHKD:YSOOKIM 2007/05/22  
APPR:YUNSIKKIM 2007/05/30

QUALITY SYMBOLS  
▽=0  
△=0

GENERAL TOLERANCES (UNLESS SPECIFIED)

	mm	INCH
4 PLACES	±---	±---
3 PLACES	±---	±---
2 PLACES	±---	±---
1 PLACE	±0.15	±---
ANGULAR ± 1°		

DRAFT WHERE APPLICABLE  
MUST REMAIN WITHIN DIMENSIONS

DIMENSION STYLE  
MM ONLY

DRAWN BY DATE  
YSOOKIM 1996/09/11

CHECKED BY DATE  
JKOH 1996/09/11

APPROVED BY DATE  
CWLEE 1996/09/11

MATERIAL NO.  
ENTER PART

SCALE  
5:1

DESIGN UNITS  
METRIC

THIRD ANGLE PROJECTION

2.0 W/B CONN  
WAFER ASSY  
(R/A)

MOLEX INCORPORATED

DOCUMENT NO. SD-35363-001

SHEET NO. 3 OF 3

THIS DRAWING CONTAINS INFORMATION THAT IS PROPRIETARY TO MOLEX INCORPORATED AND SHOULD NOT BE USED WITHOUT WRITTEN PERMISSION

9 8 7 6 5 4 3 2 1